

# Single magazine buffer



NTM 610SM • NTM 610SL • NTM 610SXL

The single magazine buffer can be used as a mid-line loader or unloader, as a LIFO/FIFO buffer or as a reject buffer.

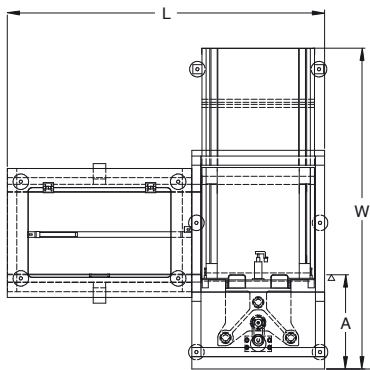


## Standard features

- 5 operation modes available:
  - Buffer mode (LIFO/FIFO)
  - Unload mode
  - Load mode
  - Reject mode
  - By-pass mode
- Dual function pusher conveyor.
- Pressure limitation on pneumatic pushers.
- Exchange magazine from rear of the machine
- Tailor made to the magazine of your choice.
- Threshold signal to protect PCB's in upstream oven.
- Automatic magazine alignment by upper- and lower pneumatic clamping.
- Controlled by PLC.
- Towerlight display for machine status.
- Selectable pitch settings.
- CE certified.

## Technical specifications

Transfer height:	950 mm ± 25 mm*
Colour:	RAL 9002*
Flow direction:	Left to right*
Fixed rail:	Front*
Machine interface:	SMEMA*
Conveyor concept:	ESD belt
Belt speed:	14 m/min.
PCB edge support:	3 mm
Components clearance:	Top 30 mm, bottom 30 mm (depends on pitch)
Power supply:	230 VAC/50 Hz/1 Ph
Power consumption:	580 VA max.
Air supply:	4-6 bar
Air consumption:	15 ltr/min max.
Machine cycle time:	10-25 seconds max.
Pitch control:	1-4, 10 mm pitch
Maximum total magazine weight:	50 kg each
Total number of magazines:	1 magazine on the lifter platform. * or specify



## Options

- By-pass conveyor above magazine platform
- Electrical conveyor width adjustment
- Automatic conveyor width adjustment
- Width adjustable magazine conveyor
- Front-side magazine exchange
- Touchscreen display
- Alarm buzzer

Other options available on request

	NTM 610SM	NTM 610SL	NTM 610SXL
Machine dimensions (l x w x h)	1260 x 1170 x 1700 mm	1560 x 1455 x 1700 mm	1560 x 1575 x 1700 mm
Weight	200 kg	250 kg	300 kg
PCB length	80 mm - 330 mm	80 mm - 457 mm	80 mm - 460 mm*
PCB width	75 mm - 250 mm	75 mm - 407 mm	75 mm - 460 mm*
Magazine dimensions (max.)	360 x 320 x 583 mm	535 x 530 x 570 mm	535 x 580 x 570 mm
Fixed rail to front dimension (A)	395 mm	380 mm	380 mm

\* or specify