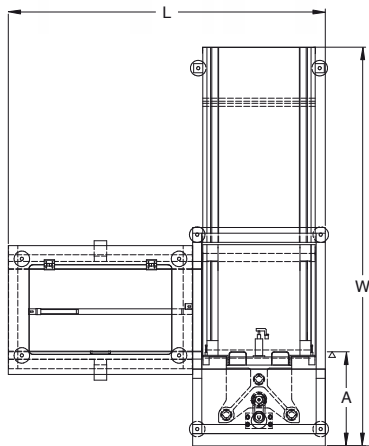


Multi magazine buffer



NTM 620SM • NTM 620SL • NTM 620SXL

The multi magazine buffer can be used as a mid-line loader or unloader, as a high capacity LIFO/FIFO buffer or as a reject buffer.



Standard features

- Automatic magazine change-over
- 5 operation modes available:
 - Buffer mode (LIFO/FIFO)
 - Unload mode
 - Load mode
 - Reject mode
 - By-pass mode
- Dual function pusher conveyor.
- Pressure limitation on pneumatic pusher.
- Threshold signal to protect PCB's in upstream oven.
- Controlled by PLC.
- Towerlight display for machine status.
- Selectable pitch settings.
- CE certified.

Technical specifications

Transfer height:	950 mm ± 25 mm*
Colour:	RAL 9002*
Flow direction:	Left to right*
Fixed rail:	Front*
Machine interface:	SMEMA*
Conveyor concept:	ESD belt
Belt speed:	14 m/min.
PCB edge support:	3 mm
Components clearance:	Top 30 mm, bottom 30 mm (depends on pitch)
Power supply:	230 VAC/50 Hz/1 Ph
Power consumption:	800 VA max.
Air supply:	4-6 bar
Air consumption:	15 ltr/min max.
Machine cycle time:	12-30 seconds max.
Pitch control:	1-4, 10 mm pitch
Maximum total magazine weight:	50 kg each
Total number of magazines:	1 magazine on the lifter platform. 2 empty magazines on the upper magazine conveyor. 2 full magazines on the lower magazine conveyor.

* or specify

Options

- By-pass conveyor above magazine platform
- Electrical conveyor width adjustment
- Automatic conveyor width adjustment
- Width adjustable magazine conveyor(s)
- Magazine conveyors located at front-side.
- Touchscreen display
- Alarm buzzer

	NTM 620SM	NTM 620SL	NTM 620SXL
Machine dimensions (l x w x h)	1260 x 2145 x 1700 mm	1560 x 2825 x 1700 mm	1560 x 2975 x 1700 mm
Weight	230 kg	280 kg	330 kg
PCB length	80 mm - 330 mm	80 mm - 457 mm	80 mm - 460 mm*
PCB width	75 mm - 250 mm	75 mm - 407 mm	75 mm - 460 mm*
Magazine dimensions (max.)	360 x 320 x 583 mm	535 x 530 x 570 mm	535 x 580 x 570 mm
Fixed rail to front dimension (A)	395 mm	380 mm	380 mm

* or specify