

AOI Rework conveyor



NTM 520WSM 2000-7 • NTM 520WSL 2000-7 • NTM 520WSXL 2000-7

The AOI rework conveyor is designed for good/bad PCB separation. The in- and outgoing segments pneumatically move up/down allowing separation without interrupting the flow of good PCB's.



Standard features

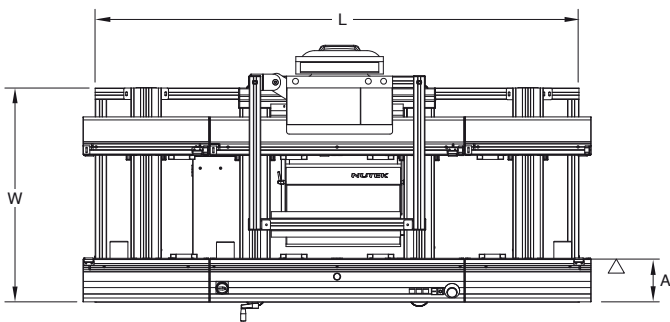
- Rework and by-pass mode selectable.
- 7 ESD belt segments, providing possibility to buffer three failed PCB's.
- Conveyor width adjustment using hand crank.
- Controlled by PLC.
- ESD bracelet connection.
- Foot rest.
- Overhead lighting.
- Flatscreen & keyboard support.
- PC stand.
- CE certified.

Technical specifications

Transfer height:	950 mm ± 25 mm*
Colour:	RAL 9002*
Flow direction:	Left to Right*
Fixed rail:	Front*
Machine interface:	SMEMA*
Conveyor concept:	ESD belt
Belt speed:	14 m/min.
PCB edge support:	3 mm
Component clearance:	Bottom 30 mm, top+bottom = 54 mm max. (belt to belt)
Power supply:	230 VAC/50 Hz/1 Ph
Power consumption:	400 VA max.
Air supply:	4-6 bar
Air consumption:	65 ltr/min max. * or specify

Options

- Part shelf
 - PCB release foot switch
 - Electrical conveyor width adjustment
 - Automatic conveyor width adjustment
 - Variable speed per segment
- Other options available on request



	NTM 520WSM 2000-7	NTM 520WSL 2000-7	NTM 520WSXL 2000-7
Machine dimensions (l x w x h)	2000 x 730 x 2190 mm	2000 x 890 x 2190 mm	2000 x 940 x 2190 mm
Weight	190 kg	220 kg	250 kg
PCB length	80 mm - 457 mm	80 mm - 457 mm	80 mm - 460 mm*
PCB width	50 mm - 250 mm	50 mm - 407 mm	50 mm - 460 mm*
Fixed rail to front dimension (A)	168 mm	168 mm	168 mm

* or specify