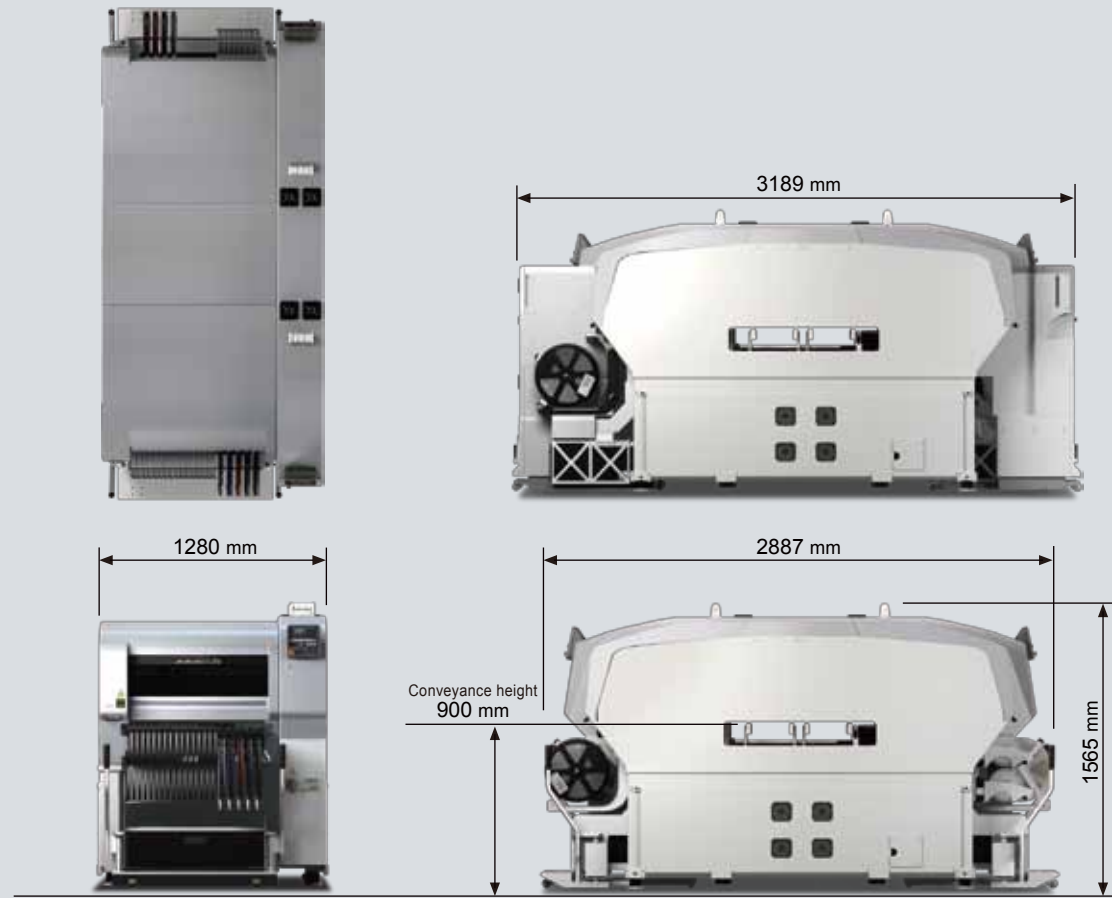


## Main Body Size



# AIMEX II S

## Fuji Flexible Placement Platform

### Supported heads

	DX	V12	H12HS	H08M	H02F	H01	OF
Nozzle quantity	12/4/1	12		8	2	1	1 (or 1 claw)
Production capability (cph)	25,000(R12)/ 11,000(R4)/5,000(S1)	26,000	22,500	13,000	5,500	4,200	3,000
Applicable part size (mm)	0402 (01005") to 74 x 74 (32 x 100) Height: Up to 25.4	0402 (01005") to 7.5 x 7.5 Height: Up to 3.0		0603 (0201") to 45 x 45 Height: Up to 13.0	1608 (0603") to 74 x 74 (32 x 180) Height: Up to 25.4		1608 (0603") to 74 x 74 (32 x 180) Height: Up to 38.1
Parts presence check	○ (R12, parts height up to 3 mm)*1	○	○ (H12HSQ)	○ (H08MQ)	○	○	×
Parts packaging	Tape	○	○	○	○	○	○
	Stick	○ (When R4 or S1)	×	○	○	○	○
	Tray	○ (When R4 or S1)	×	○	○	○	○

### Basic specifications

Applicable panel size (L x W)	48 x 48 mm to 774 x 318 mm (double conveyor and dual transport) 48 x 48 mm to 774 x 586 mm (double conveyor and single transport) 48 x 48 mm to 774 x 686 mm (single conveyor) <small>*Transport of panels up to L = 1,068 mm is possible, but over 774 mm is outside the placement range.</small>
Reel capacity	Up to 130 (when using 8 mm tape)
PCB loading time	Double conveyor: 0 sec for dual transport, 5.0 sec for single transport; Single conveyor: 5.0 sec Double conveyor: 0 sec for dual transport, 2.8 sec for single transport (includes AB multi production); Single conveyor: 2.8 sec <sup>2</sup>
Placement accuracy (Fiducial mark standard)	DX (R12) / V12 / H12HS (Q): ± 0.038 (±0.050) mm (3σ) cpk ≥ 1.00 * DX (R4) / H08M (Q): ± 0.040 mm (3σ) cpk ≥ 1.00 OF: ± 0.050 mm (3σ) cpk ≥ 1.00 DX (S1) / H02F / H01: ± 0.030 mm (3σ) cpk ≥ 1.00 <small>* ±0.038 mm is for placement of rectangular chips under optimal conditions at Fuji (with high accuracy tuning).</small>
Weight	2,000 kg (main body only)
Power supply, air consumption	3 phase 200 to 230 V ± 10 %, 0.5 MPa 120 L / min (A.N.R)

\*1 R4 is not supported. \*2 When using overlap conveyance + high speed conveyance

## FUJI MACHINE MFG. CO., LTD.

19 Chausuyama Yamamachi Chiryu-shi Aichi-ken 472-8686 Japan  
Tel: +81 566 81 2110 Fax: +81 566 83 1140

<http://www.fuji.co.jp>

- The contents of this catalog are subject to change without notice due to constant product development.
- Contact Fuji or a Fuji representative before transporting this product to a foreign location within your company or selling it to a third party within your country or a different country.
- The information in this catalog is current as of July, 2015.

© 2015 FUJI MACHINE MFG. CO., LTD. All Rights Reserved.

Cat.No.AIMEXIIS\_2015.Jul\_E



## A Flexible New Production Solution

**Wide range of parts supported from small chips to large parts**

**Support for different production types (alternate production, independent production)**

**Convenient functions for trial and low-volume production**

**Expanded ability to handle various part types**

High speed placing of chip parts and flexible placing for high throughput of medium sized parts. With dynamic tool exchange for optimal support of everything from small chips to large and odd-form parts in addition to the standard head lineup, the AIMEX IIS supports a huge range of parts.

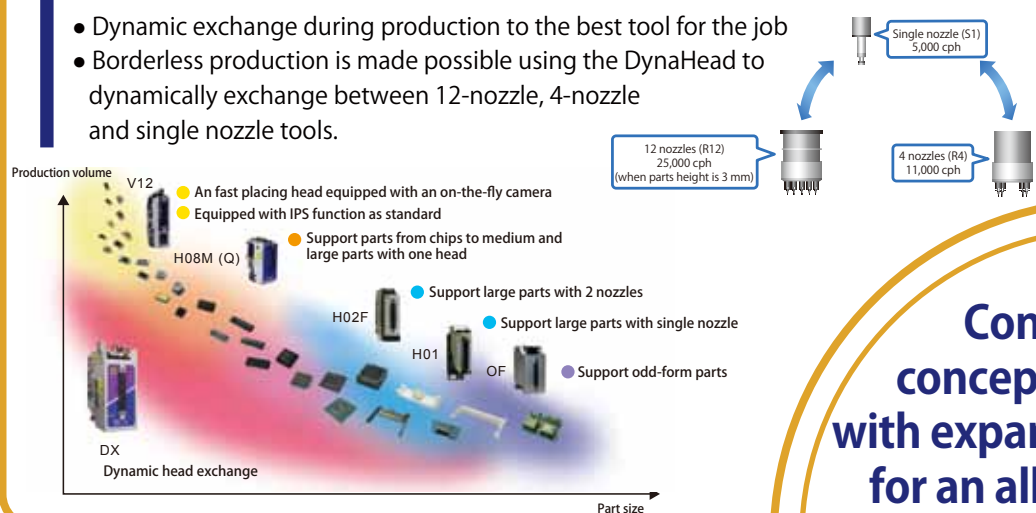
A double conveyor allows dual lane production of different panels at the same time. This production method enables changeover at one lane to be performed while production continues at the other, helping you to reduce lead times for your products.

A new function enables vision processing data adjustments to be made quickly and at the machine, which speeds up the process of introducing a new job to the line. This on-machine software can create vision processing data automatically based on the actual image of parts. All the operator needs to do is confirm the image is correct and then production can restart, greatly improving efficiency during New Product Introduction (NPI).

As well as the ability to load up to 130 parts in tape, using the OF head means support for a wide range of odd-form parts. This allows the machine to place parts up to 38.1 mm (1.5 inches) in height such as the relays and LAN connectors that are commonly used for automotive panels and motherboards.

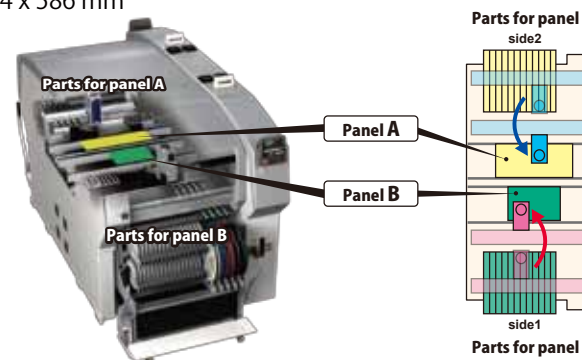
### Newly developed DynaHead (DX) added to the lineup

- Dynamic exchange during production to the best tool for the job
- Borderless production is made possible using the DynaHead to dynamically exchange between 12-nozzle, 4-nozzle and single nozzle tools.



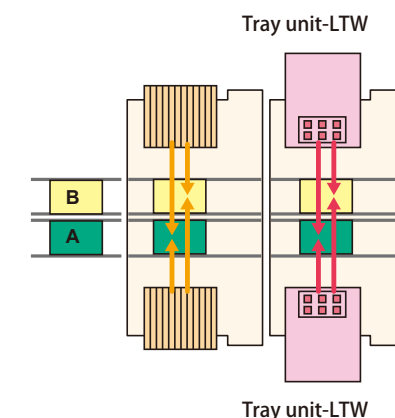
### Independent production at dual lanes

- Multi production (independent production of different panels on double conveyors)
- Changeover at one lane while production continues at the other
- Dual transport on double conveyor supports panels up to 774 x 318 mm; single transport supports panels up to 774 x 586 mm



### Better tray unit performance

- The twin magazine design means that tray parts can be supplied non-stop.
- Feeders can also be loaded, ensuring optimal machine balance.
- Tray units can be loaded at both sides.



**Continuing the concept of the AIMEX, with expanded functionality for an all-in-one solution for everything from trial runs to volume production, from high density small panels to large panel production.**



1. Automatically recreates vision processing data
2. Check results
3. Restart production

Work time has been lowered by **82%** compared to previously (under conditions at Fujii)

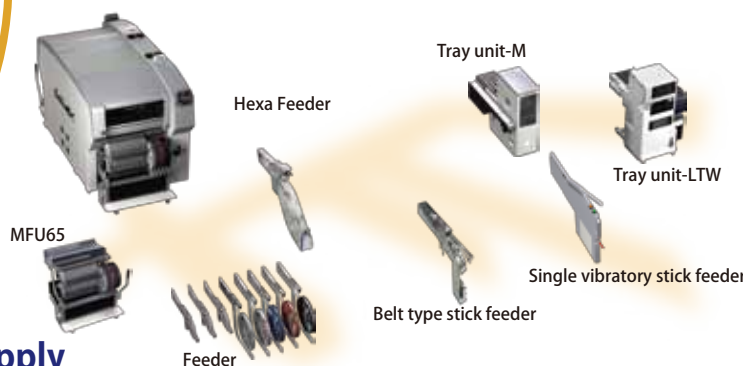
### Efficient support for New Production Introduction (NPI)

- A faster system for adjusting data and recovering from errors to enable production of new products to be started more efficiently
- A tool for easily adjusting vision processing data
- Machine can recreate vision processing data automatically

NPI: New Product Introduction

### Flexible part supply

- As well as standard tape and HexaFeeders, tray units and stick feeders can be loaded to enable flexible support for various production needs.
- Using the newly developed Hexa Feeder enables six 8 mm feeders to be loaded at just 4 slots on the machine. This means a total of 194 part types can be loaded.
- Because the AIMEX IIS uses many of the same units as the NXT series, you can make the best use of existing assets.



(\*Some units are not compatible)



It is possible to load up to 48 types of tray parts and 27 (8 mm wide) tape feeders.