

# Vision Lentis

## High Performance Bench Magnifier for inspection, manipulation and material rework

Bench magnifiers are typically used for:  
illuminated inspection of small parts...  
or manipulation and rework (cutting, soldering,  
welding, polishing and painting).

Traditional bench magnifiers suffer from:

- Instability
- Optical distortion (often at the edge of the image)
- Reflection disturbance (from ambient light)
- Inadequate illumination

Lentis is a state of the art magnifier, designed to incorporate the optical, ergonomic and mechanical design excellence adopted throughout Vision Engineering's range of award winning stereo microscopes, measuring systems and optical aids.



### Technical Data

Optical Data		
Viewing Lens	Working Distance	Field of View
2.5 dioptres	80 - 250mm	250mm

Lighting Data	
True colour optimised fluorescent tubes. Ultraviolet (UV) option available	
2 x 4W with double reflectors	2,000 hours

Accessories
Dust cover Replacement 4W fluorescent (White & UV)

### Features and Benefits

- High specification optical lens for minimal distortion across the entire field of view. The lens is finished with a multi-layer anti-reflective coating to minimise ambient reflection disturbance.

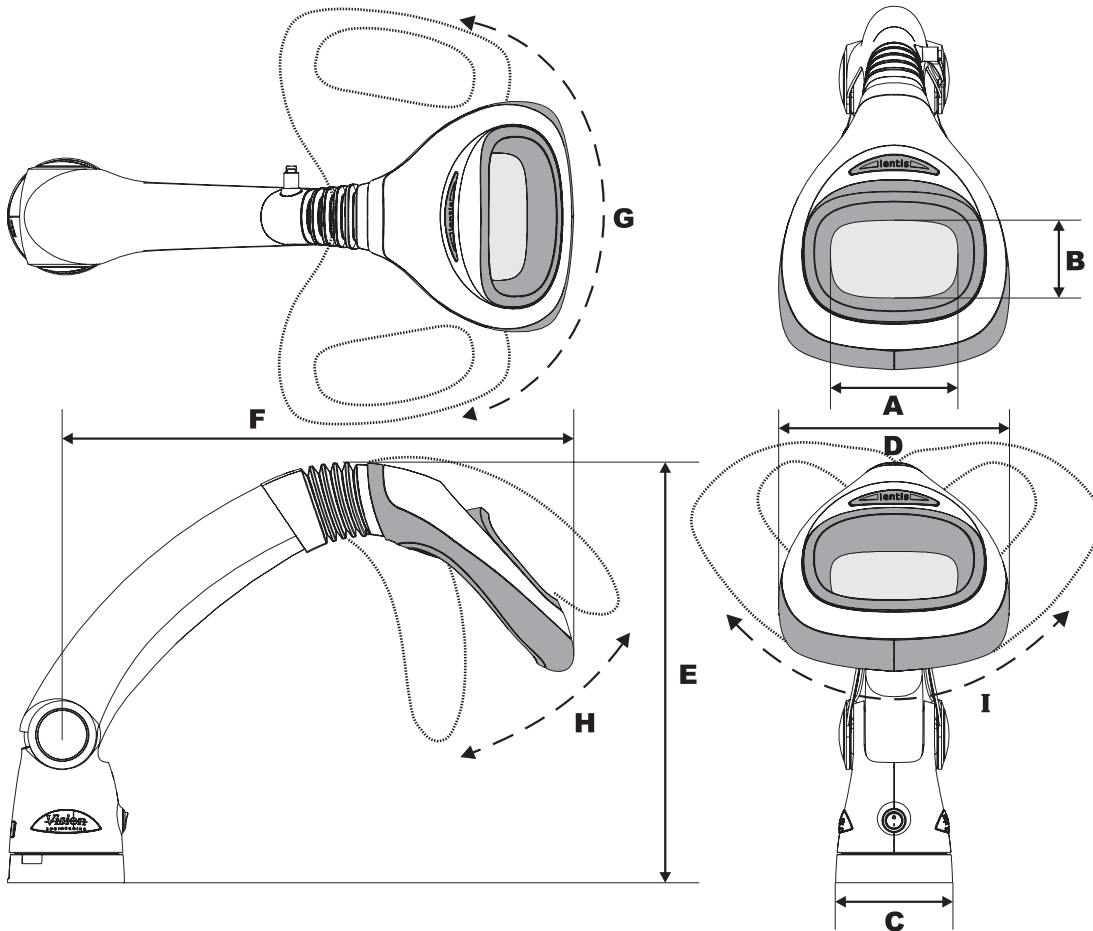
### Ease of Use

- 2.5 dioptre lens provides optimal magnification, field of view and working distance for optimum comfort.
- Long life, ultra bright, reflected fluorescent illumination for superb image clarity and colour rendition.

### Versatility

- Ultra modern stand design with quick move base for high stability and versatility.





## Dimensions

A = 134mm  
B = 82mm  
C = 132mm  
D = 240mm

## Height

E = 290mm - 540mm

## Reach

F = 460mm - 640mm

## G = Yaw

80° - 160°

## H = Viewing angle

65° - 20°

## I = Roll

22.5° - 45°

## Unpacked weight

Head & Stand = 4.0kg

## Packed weight

Head & Stand = 6.0kg

## Power Supply

All Lentis units are powered with a wall plug socket transformer, available in all worldwide plug configurations and delivering 9V DC to the Lentis illuminator in the optical head or stand.

For more information...

Vision Engineering has a network of offices and technical distributors around the world. Please contact your Vision Engineering branch, local authorised distributor, or visit our website.

Vision Engineering Ltd.  
(Manufacturing)  
Send Road, Send, Woking,  
Surrey, GU23 7ER, England  
Tel: +44 (0) 1483 248300  
Fax: +44 (0) 1483 223297  
Email: generalinfo@visioneng.com

Vision Engineering Inc.  
(Manufacturing & Commercial)  
570 Danbury Road, New Milford,  
CT 06776 USA  
Tel: +1 (860) 355 3776  
Fax: +1 (860) 355 0712  
Email: info@visioneng.com

Vision Engineering Ltd.  
(Central Europe)  
Anton Pendele Strasse 3,  
D-82275, Emmering, Germany  
Tel: +49 (0) 8141 40167-0  
Fax: +49 (0) 8141 40167-55  
Email: info@visioneng.de

Vision Engineering Ltd.  
(France)  
ZAC de la Tremblaine, Av. de la Tremblaine  
91220 Le Plessis Paté, France  
Tél: +33 (0) 160 76 60 00  
Fax: +33 (0) 160 76 60 01  
Email: info@visioneng.fr

Vision Engineering Ltd.  
(Commercial)  
Monument House, Monument Way West,  
Woking, Surrey, GU21 5EN, England  
Tel: +44 (0) 1483 248300  
Fax: +44 (0) 1483 248301  
Email: generalinfo@visioneng.com

Vision Engineering Inc.  
(Commercial West Coast USA)  
745 West Taft Avenue, Orange,  
CA 92865 USA  
Tel: +1 (714) 974 6966  
Fax: +1 (714) 974 7266  
Email: info@visioneng.com

Nippon Vision Engineering  
(Japan)  
272-2 Saedo-cho, Tsuduki-ku,  
Yokohama-shi, 224-0054, Japan  
Tel: +81 (0) 45 935 1117  
Fax: +81 (0) 45 935 1177  
Email: info@visioneng.jp

Vision Engineering Ltd.  
(Italy)  
Via Cesare Cantù, 9  
20092 Cinisello Balsamo MI, Italy  
Tel: +39 02 6129 3518  
Fax: +39 02 6129 3526  
Email: info@visioneng.it

**Vision**  
ENGINEERING

Visit our multi-lingual website:

[www.visioneng.com](http://www.visioneng.com)

Distributor:

AMTECH spol. s r.o.  
Banskobystrická 141, 621 00 Brno  
Kancelář : Palackého tř. 153b, 621 00 Brno  
tel.: +420 541 225 215 fax:+420 541 228 285  
email: amtech@amtech.cz  
www.amtech.cz

