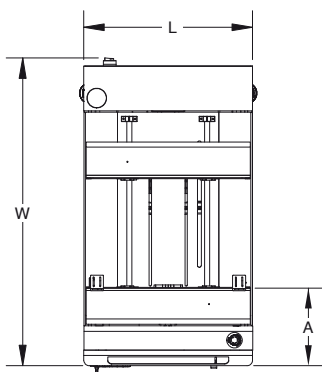


Small capacity FIFO buffer



NTM 670SM • NTM 670SL

This unit allows buffering of PCB's in FIFO mode. It uses belt segments to hold the PCB over its complete length.



Standard features

- Selectable FIFO and LIFO mode.
- Controlled by PLC.
- Conveyor width adjustment using hand crank.
- Selectable pitch settings.
- Frequency controlled lifter motor.
- Towerlight display for machine status.
- CE certified.

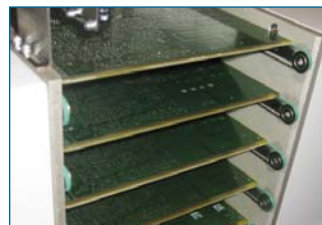
Technical specifications

Transfer height:	950 mm ± 25 mm*
Colour:	RAL 9002*
Flow direction:	Left to right*
Fixed rail:	Front*
Machine interface:	SMEMA*
Conveyor concept:	ESD belt
Conveyor speed:	14 m/min.
PCB edge support:	3 mm
Components clearance:	Top 25 mm, bottom 25 mm (depends on pitch)
Power supply:	230 VAC/50 Hz/1 Ph
Power consumption:	350 VA max.
Air supply:	4-6 bar
Air consumption:	2 ltr/min max.
Machine cycle time:	<10 seconds
Pitch control:	1-2, 50 mm pitch
Buffer capacity:	Max. 5 pcb's at pitch 1 * or specify

Options

- Cantilevered input- or output conveyor (length 500 mm)
- Cool down timer
- Electrical conveyor width adjustment
- Automatic conveyor width adjustment
- Touchscreen display
- Alarm buzzer

Other options available on request



	NTM 670SM	NTM 670SL
Machine dimensions (l x w x h)	500 x 985 x 1100 mm	653 x 1200 x 1100 mm
Weight	130 kg	150 kg
PCB length	80 mm - 330 mm	80 mm - 457 mm
PCB width	50 mm - 250 mm	50 mm - 460 mm
Fixed rail to front dimension (A)	300 mm	300 mm

* or specify