

Platform line loader/unloader



NTM 441ILM • NTM 441IUM

Used to either load or unload substrates, leadframes and carriers.
System uses a pneumatic pusher and integrated conveyor for loading or unloading of the line.



Standard features

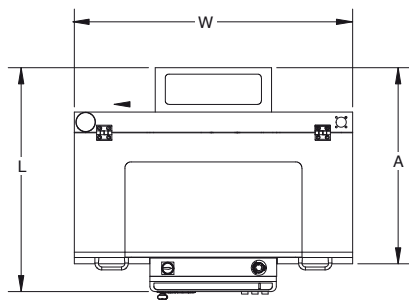
- Caters for one magazine type/size only.
- Magazine capacity depends on external magazine dimensions.
- Controlled by PLC.
- Frequency inverter control for precise indexing.
- Tailor made to the magazine of your choice.
- Regulated pressure on pneumatic pusher.
- Conveyor width adjustment using hand crank.
- Towerlight display for machine status.
- CE certified.

Technical specifications

Colour:	RAL 9002*
Flow direction:	Left to right*
Fixed rail:	Front*
Machine interface:	SMEMA*
Indexing pitch:	6 mm*
Conveyor concept:	ESD belt
Belt speed:	14 m/min.
PCB edge support:	3 mm
Power supply:	230 VAC/50 Hz/1 Ph
Power consumption:	450 VA max.
Air supply:	4-6 bar
Air consumption:	1 ltr/min max.
	* or specify

Options

- Alarm buzzer
- Other options available on request



	NTM 4411LM (loader)	NTM 4411UM (unloader)
Machine dimensions (l x w x h)	885 x 1100 x 1300 mm	885 x 1100 x 1300 mm
Weight	165 kg	165 kg
Magazine length	100 mm - 280 mm	100 mm - 280 mm
Magazine width	30 mm - 250 mm	30 mm - 250 mm
Magazine height	< 330 mm	< 330 mm
Fixed rail to front dimension (A)	450 mm	450 mm