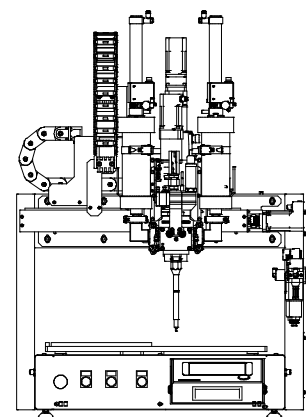


DesktopCell

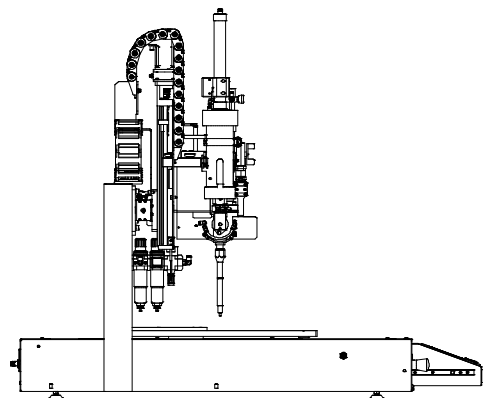
The DesktopCell handles simple metering and dispensing tasks (dots, lines, filling). It is designed for processing a wide range of different dispensing materials, including abrasive and highly filled media.



DesktopCell
with housing and CE marking



Front view

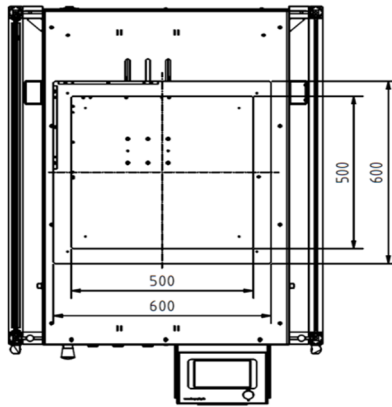


Side view

Basic equipment and options

General	
Dimensions	Width: 880 mm
	Depth: 1130 mm
	Height: 1400 mm
Installation height (table)	min. 700 mm
Working height	970 mm at installation height 750 mm
Weight	170 kg
Component change	Light curtain
User safety	Emergency stop, light curtain, mesh enclosure
Documentation	German, English
User language	German, English, Chinese
Sales release	Unlimited release
Note	- no compressed air connection for other machines available
	- mixing tube length must be checked!
	- needle/mixing tube fixation with dispenser always included
	- with external material feeding is the external control standard!

Axis System	
Motor technology	Stepper motor technology with encoder
Max. axis speed (X/Y)	100 mm/s
Max. axis speed (Z)	70 mm/s
Axis system	X-Y-Z-axis system (spindle axis)
Kinematics / axis arrangement	3.200 (Y=workpiece axle; X/Z=tool axle)
Repeatability	+ - 0,02 mm
Max. traversing	500 mm (X-axle)
	500 mm (Y-axle)
	300 mm (Z-axle)



Drawing
(Top View: place for workpiece carrier)

Component / Component Carrier	
Max. component weight	20 kg
Pallet / component size (not traversing range)	Length: max. 600 mm
	Width: max. 600 mm
	Height + mixing tube length: max. 360 mm
Waste cup	Must be define in the workpiece carrier, position is to teach in the control

Control Unit	
Control	SCP200+
Visualization	7" touch screen color display (SCP200+)
Programming	Simple matrix metering program creation
Type of control	Path control
Handheld	Integrated in touch screen display

Interfaces		
Dispenser	- Dos P016-1C/01 - Dos P016-2C/01 - Dos GP-01	
Material feeding	- A310 - A220 / A280 - A90 C / T / D / B	
Limitation in material feeding	- A90 C: max. 20 oz - no heating tube - no circulation	
Compressed air	Connector:	KS4
	Pressure supply:	6 bar
	Compressed air consumption:	1 l/min
Electrical connection	Connector:	SchuKo-Plug
	Electrical supply:	100 ... 240 V AC; 50/60 Hz
	Connection power:	0,8 kVA
Data	Data backup and exchange via USB / SD card (XML format)	

PRODUCT DATA SHEET



01.09.2014

Version 1.3

Atmospheric-Pressure Production + Dispensing DesktopCell

Options	
VA10645	ESD Equipment DesktopCell with windows and roof ESD equipment, to reach a bleeder resistor of 1×10^4 up to $1 \times 10^{11}\Omega$. The actually reached values are determined and documented during system acceptance.
VA10036	Lubrication kit Set to lubricate the axis and dispensers
VA10644	Base frame/table Designed for a height of 950-1050 mm (adjustable), cell adjustment in order to prevent a shift of the cell Consisting of: <ul style="list-style-type: none">- robust, high-quality aluminum profile frame- mounting foot- cell adjustment